



# PC-648R & PC-658R

Spring Clamp Type  
Ceiling Mount Speakers



## PC-648R & PC-658R Ceiling Speakers

Integrated with a resin panel and speaker frame, the PC-648R and PC-658R are ceiling mount speakers with a metal grille attached. They feature spring clamp mechanism for easy speaker mounting to the ceiling. The input impedance can be easily changed by changing the tap position of the transformer.

### Features:

- Spring clamp mechanism for easy speaker mounting to the ceiling
- PC-648R: 12cm (5") cone type
- PC-658R: 16cm (6") cone type
- New Color Code: RAL 9016
- Optional flame retardant (HIPS UL-94VO) backcan

### Optional Backcan:

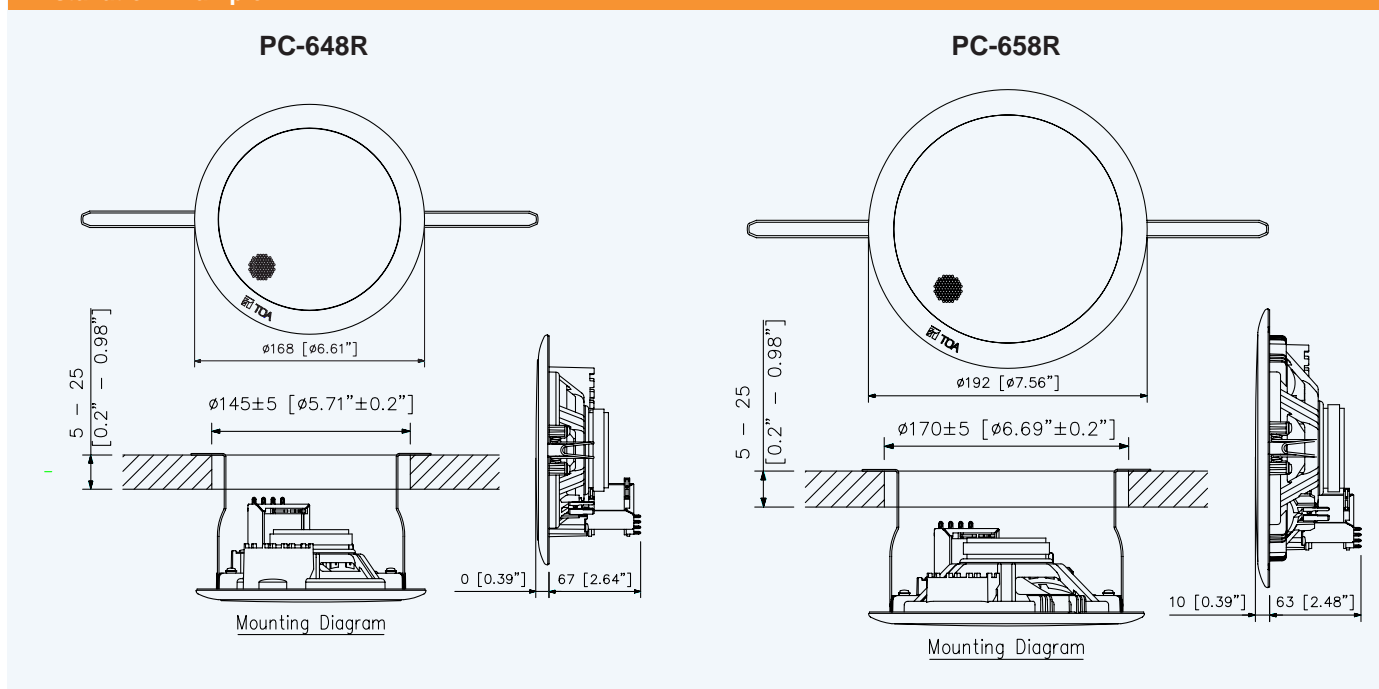


HY-BC648Q  
(for PC-648R)



HY-BC658Q  
(for PC-658R)

### Installation Example



### Specifications

Model	PC-648R	PC-658R
Rated Input	6W (100V line), 3W (70V line)	
Rated Impedance	100V line: 1.7 kΩ (6W), 3.3kΩ (3W), 10kΩ (1W) 70V line: 1.7 kΩ (3W), 3.3kΩ (1.5W), 10kΩ (0.5W)	
Sensitivity	90dB (1W, 1m)	
Frequency Response	100 - 18,000Hz	65-18,000Hz
Speaker Component	12cm (5") cone-type	16cm (6") cone-type
Dimensions for Fixing Hole	Mounting hole: $\phi 145 \pm 5$ mm ( $\phi 5.71 \pm 0.2$ ") Ceiling thickness: 5 - 25mm (0.2 - 0.98")	Mounting hole: $\phi 170 \pm 5$ mm ( $\phi 6.69 \pm 0.2$ ") Ceiling thickness: 5 - 25mm (0.2 - 0.98")
Speaker Mounting Method	Spring Clamp	
Finish	Baffle: Polypropylene resin, white (RAL 9016 equivalent) Grille: Surface-treated steel plate net, white (RAL 9016 equivalent), paint	
Dimensions	$\phi 168 \times 77$ (D) mm ( $\phi 6.61" \times 3.03"$ )	$\phi 192 \times 73$ (D) mm ( $\phi 7.56" \times 2.87"$ )
Weight	470g (1.04lb)	500g (1.1lb)
Accessory	Paper pattern ... 1	



Like us on Facebook  
facebook.com/TOAasiapacific

TOA Electronics Pte Ltd  
www.toa.com.sg

Specifications are subject to change without notice.  
Printed in Singapore (65) 865-1115-01A